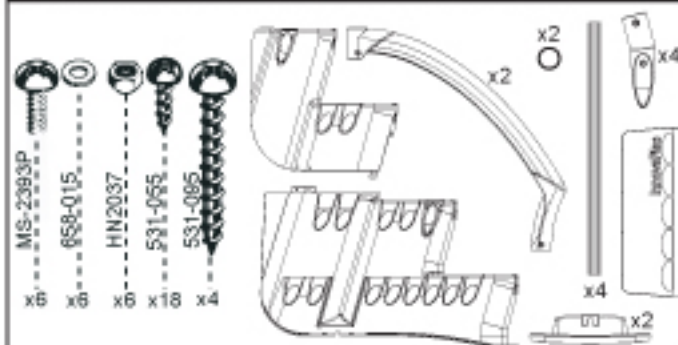


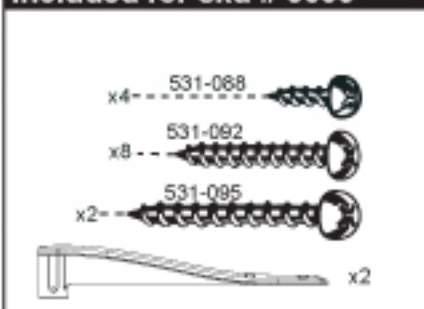
BILTMOR

THE POOL STEP ASSEMBLY

Contents of the Biltmor box sku # 5001



Included for sku # 5005



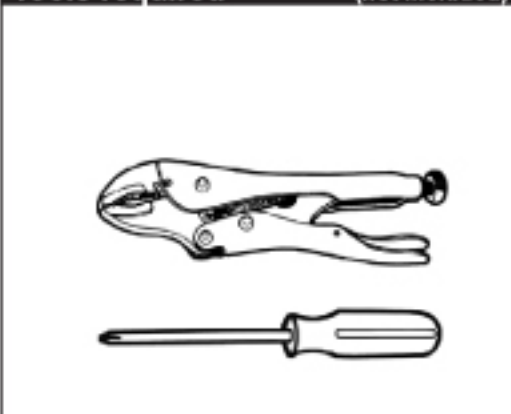
Sand (not included)



⚠ WARNING

- ◆ Do not dive or jump from step or ladder.
- ◆ Use BATTERY operated tools to avoid electric shocks.
- ◆ Install step on flat surface, following the manufacturers instructions.
- ◆ Remove step from pool during freezing climate season.
- ◆ Manufacturer cannot be held responsible for injuries caused by abusive use of product.
- ◆ Ask your city about specific regulations that apply to your aboveground pool and ladder.

Tools required (not included)

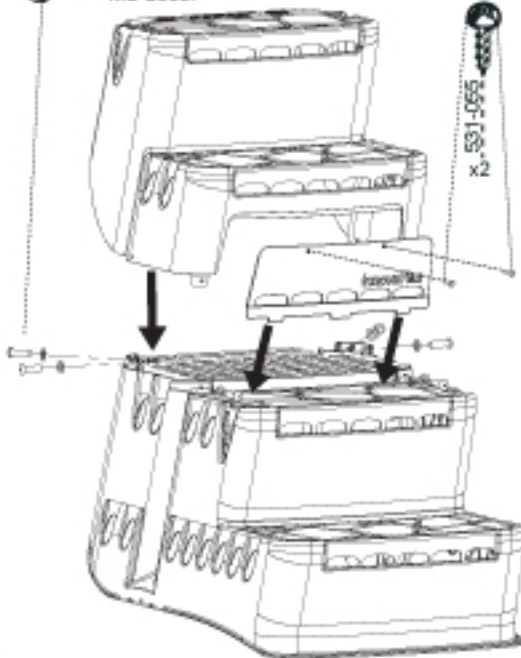


SKU # 5001

SKU # 5005

- A**
- 1) Assemble the two main modules with the six screws, nuts and washers provided.
 - 2) Assemble the door to the bottom module with the slots and to the top module with the 2 screws provided.

- HN2037 x6
858-015 x6
MS-2383P x6



B

1) Insert the four post ends into the step making sure that the cylindrical part is vertical and that the ends are placed and fitted properly in their respective housings.

2) Use the four screws provided to secure the post ends in place.

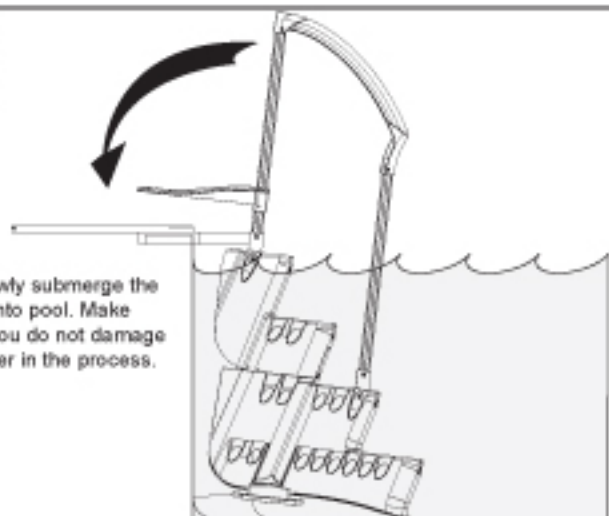
**D**

1) Place the sandbag in the step.

2) Install the small post covers.

**E**

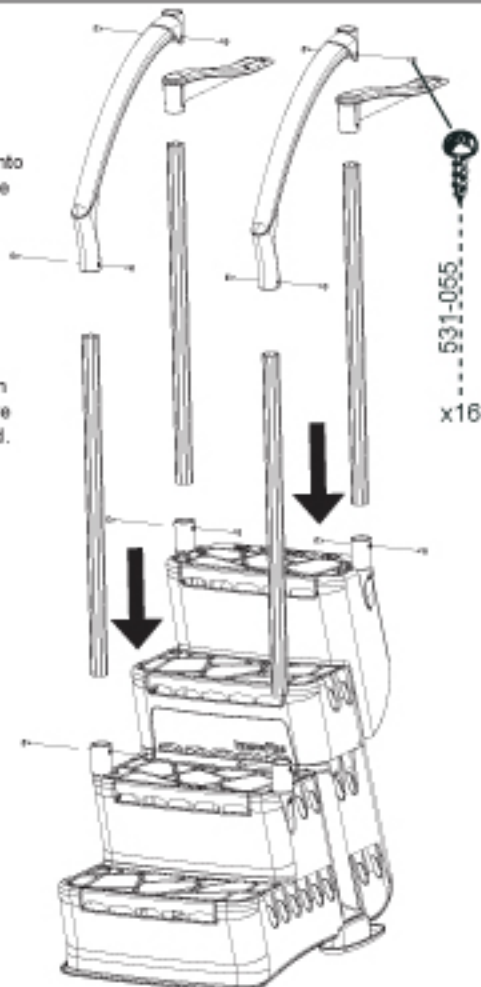
1) Slowly submerge the Step into pool. Make sure you do not damage the liner in the process.

**C**

1) Insert the four posts into the post ends and secure them in place with the screws provided.

2) Insert the two deck supports over the rear posts.

3) Insert the handrails on the four posts and secure with the screws provided.

**F**

1) Affix the deck supports with the screws supplied.

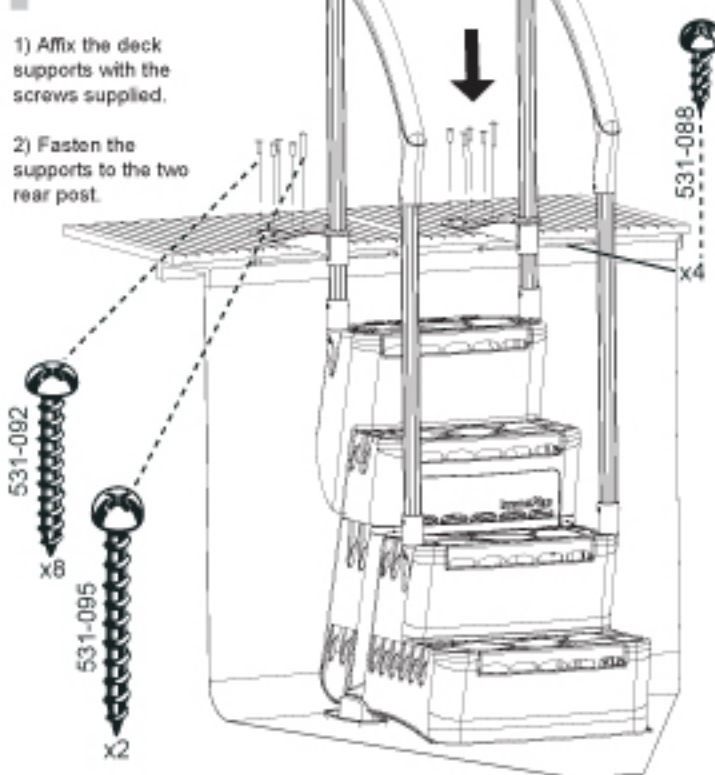
2) Fasten the supports to the two rear post.

531-092

x8

531-095

x2



InnovaPlas
Products

**MANUFACTURER
WARRANTY**

2 years on the
Biltmor
1 year on the hardware

101, Boul. Industriel
Bromptonville (Québec),
Canada J0B 1H0

REV. 27/04/05