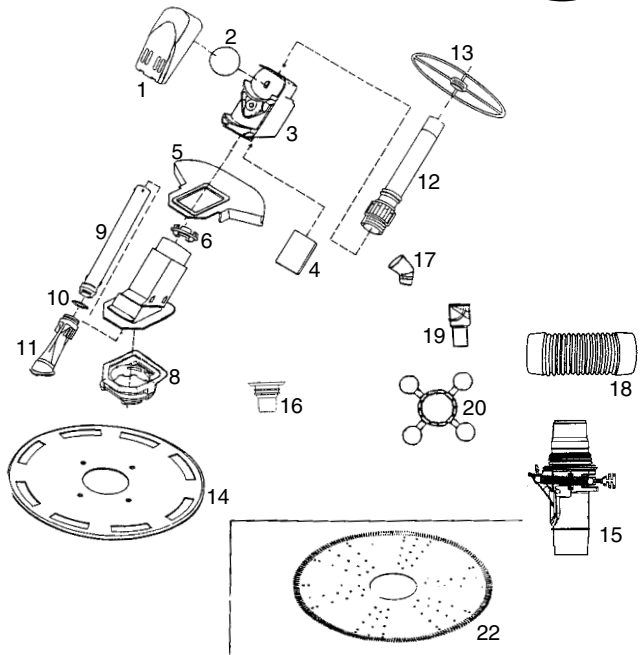


BARACUDA - BETA

BETA MODEL - ABOVE GROUND

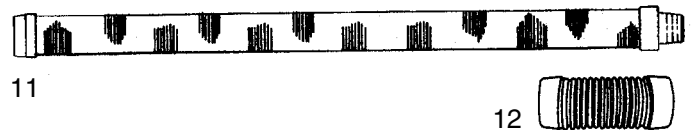
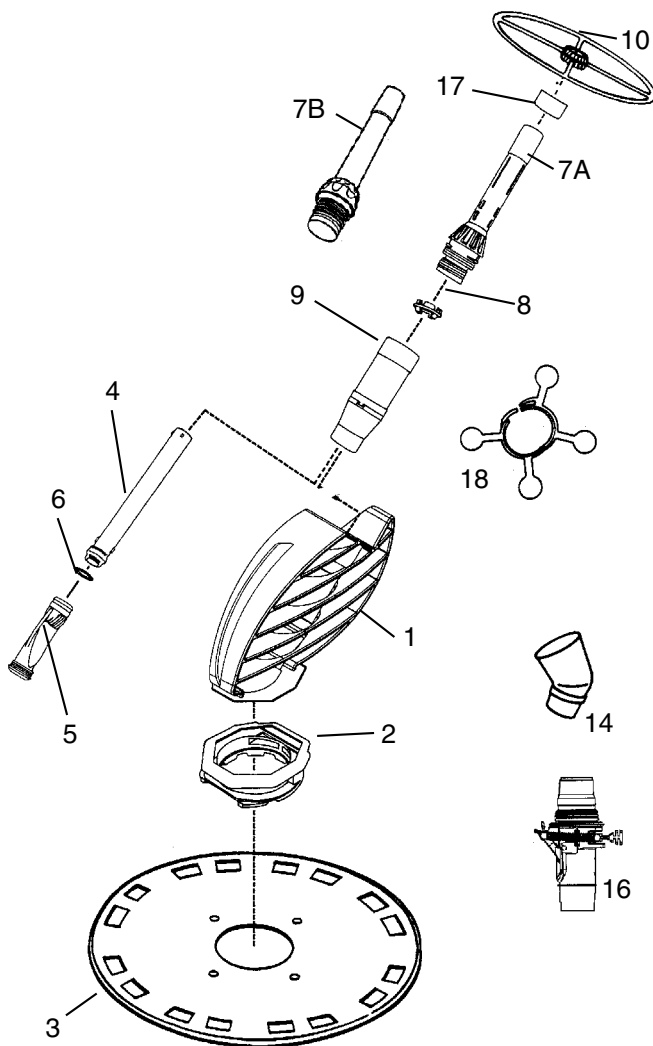
KEY	ITEM #	DESCRIPTION	MFG. #
1	3232-01	BODY, OUTER TOP	W50210
2	3232-02	FLOAT BALL	W80200
3	3232-03	BODY, OUTER BOTTOM	W53005
4	3230-04	BELLY WEIGHT	W90147
5	3232-05	APRON, (TURQUOISE)	W49855
6	3230-05	COMPRESSION RING	W74000
8	3232-08	FOOT PAD (TURQUOISE)	W72955
9	REPLACE	EXTENSION PIPE REP W/ 3237-080	W73406
9	3237-080	EXTENSION PIPE, INNER	W56525
10	3230-08	RETAINING RING, DIAPHRAGM	W81600
11	3230-09	DIAPHRAGM	W81710
12	3230-10	EXTENSION PIPE, OUTER W/NUT	W74055
13	3230-12A	DEFLECTOR, WHEEL 12" TURQUOISE	W46055
14	3230-31	DISK YELLOW	W48140
15	3237-130	FLOWKEEPER VALVE	W60050
16	3232-16	SKIMMER CUFF, ABOVE GROUND	W64700
17	3283-029	ELBOW, 45 DEGREE	W90146
18	3230-32	HOSE CONNECTOR	W33205
19	3230-22	POOL PULSE	W44800
20	3232-20	DEFLECTOR, HOSE (3 PACK)	W24209
22	3232-22	DISK, F/UNITS BEFORE '94	W47940
*	3232-26	HOSE KIT, 11x1 METER (WHITE)	W21205
*	3232-26A	HOSE, METER (WHITE) - EACH	

* NOT SHOWN



BARACUDA RANGER

ABOVE GROUND CLEANER



KEY	ITEM #	DESCRIPTION	MFG. #
1	3233-010	FRAME ASSEMBLY - TURQUOISE	W69330
2	3230-24	FOOTPAD - TURQUOISE	W72855
3	3233-12	RANGER™ DISC - PURPLE	W48131
4	3237-080	THREADED INNER EXT	W56525
5	3233-04	DIAPHRAGM	W81710
6	3230-08	DIAPHRAGM RETAINING RING	W81600
7A	3233-10	CASSETTE PIPE W/NUT, PRE-2002	W72062
7B	3230-10A	CASSETTE PIPE W/NUT, 2002	W74050
8	3230-05	COMPRESSION RING	W74000
9	3230-55	DIAPHRAGM CHAMBER	W81741
10	3230-12A	WHEEL DEFLECTOR, 12" TURQUOISE	W46055
11	3232-26	HOSE KIT 11 X 1 METER, WHITE	W21205
11	3232-26A	SINGLE HOSE, 1 METER, WHITE	
12	3230-32	4 1/2" HOSE CONNECTOR, WHITE	W33205
13	3230-22	POOL PULSE	W44800
14	3238-029	45 DEGREE ELBOW	W90146
15	3232-16	A/G SKIMMER CUFF	W64700
16	3237-130	FLOWKEEPER VALLVE	W60050
17	3233-111	WHEEL DEFLECTOR ADAPTER	W69742
18	3232-20	HOSE DEFLECTOR (PACK OF 3)	W24209