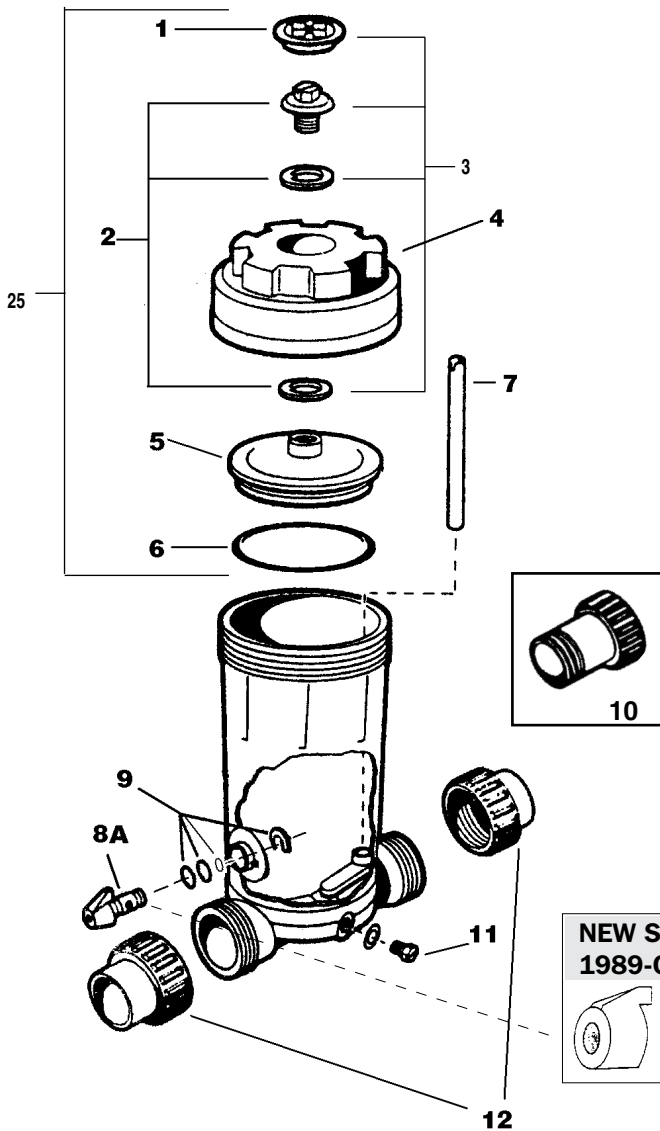


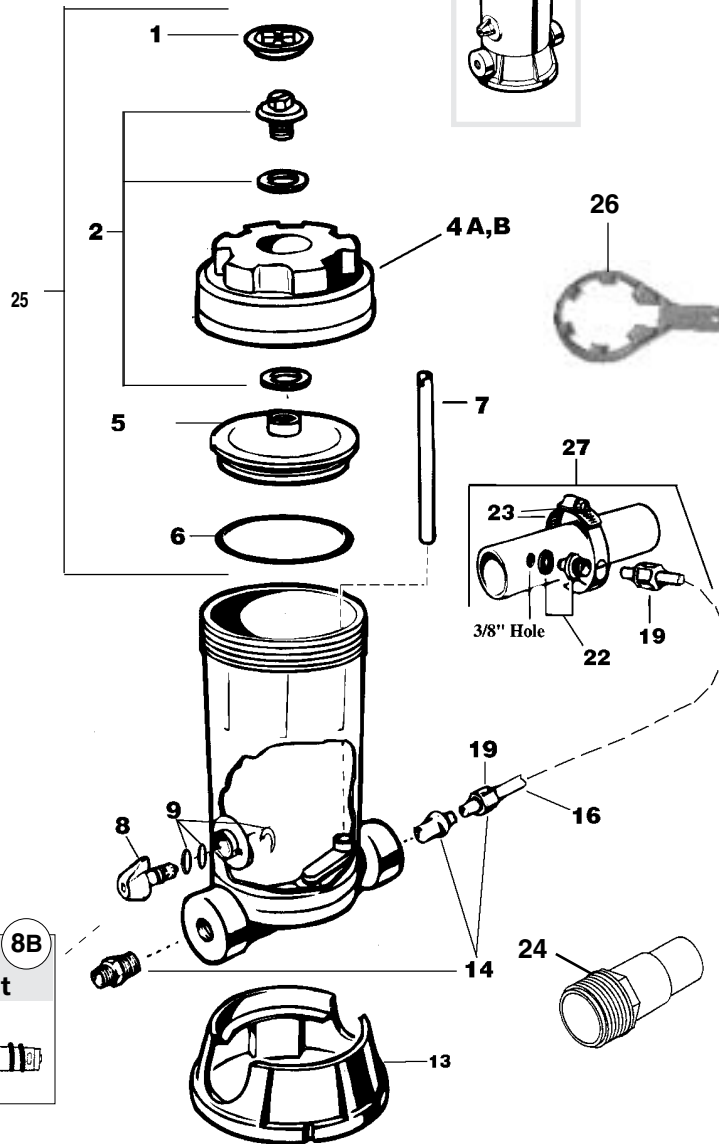
MODELS CL 200, CL 220, CL 220BR

➤ Large Capacity Feeders - Holds 9# of Chemicals

## CL 200 IN-LINE



## CL 220/220BR OFF-LINE



KEY	ITEM #	DESCRIPTION	MFG. #
1	REPLACE	NLA CAP, CENTER (LOGO) REP W/2110-03	CLX200E
2	REPLACE	NLA SCREW REP W/2110-03	CLX200GA
3	2110-03	SCREW, CAP, WASHERS (COVER NOT INCLUDED)	CLX200EGA
4A	2110-04	CAP, COVER (CL200, CL220)	CLX200C
4B	2110-04A	CAP, COVER (CL-220BR)	CLX200C2
5A	2110-05	COVER (CL200, CL220)	CLX200B
5B	2110-05B	COVER (CL-220BR)	CLX200B2
6	2110-06	O-RING, (VITON)	CLX200K
7	2110-07	TUBE, FEEDER	CLX200H
8A	2110-08	HANDLE, VALVE ASSY, W/ O-RING (BROWN, LTD QTY)	CLX200FA
8B	2110-08A	KNOB, CONTROL ASSEMBLY W/O-RING (BLACK)	CLX200PA
9	OBSOLETE	OBSOLETE O-RING	CLX200LA
10	2110-30	UNION, 1 1/2" MPT END	SP1500UNMPAK1
11	2110-11	PLUG, DRAIN W/ GASKET	SPX1700FGV
12	5111-27A	UNION CONNECTORS 1 1/2" SLIP X 2" SPG (SET OF 2)	SPX1500UNPAK2C

KEY	ITEM #	DESCRIPTION	MFG. #
12	2110-12	UNION CONNECTORS (SET OF 2) 1 1/2" SLIP X 1 1/2" UNION THREAD OUTSIDE	SPX1500UNPAK2
13	2110-13	BASE, (CL-220)	CLX220B
14**	2110-14	VALVE, CHECK AND INLET FTG. ASSY	CLX220EA
16	2110-16	TUBING, CHLORINATOR 8 FT.	CLX220J
19	2110-19	NUT, COMPRESSION FERULE 5/16"	CLX220H
*	2110-20	FITTING, ADAPTER 1/4"	CLX220P
22	2110-22	FITTING, SADDLE W/ GASKET	CLX220G
22A	2114-09A	GASKET	172033
23	2110-23	CLAMP, SADDLE	CLX220K
24	2110-25	POLY ADAPTOR W/ 1/4" TAPPED HOLE	SPX1091Z7TC
25	2110-40	COVER & CAP ASSY, COMPLETE (INCLUDES #1, #1 #2, #1 #4A, #1 #5A, #1 #6)	
26	0211-0	TOOL, LID	
27	2110-15	MAINTENANCE KIT INCLUDES #19, #22, #23, & 4' OF TUBING	CLX220GA
*	2110-26	ELBOW ADAPTER W/ 1/4" TAP	SPX110524TC

\* NOT SHOWN

\*\* KIT INCLUDES 2 COMPRESSION NUTS (KEY #19)