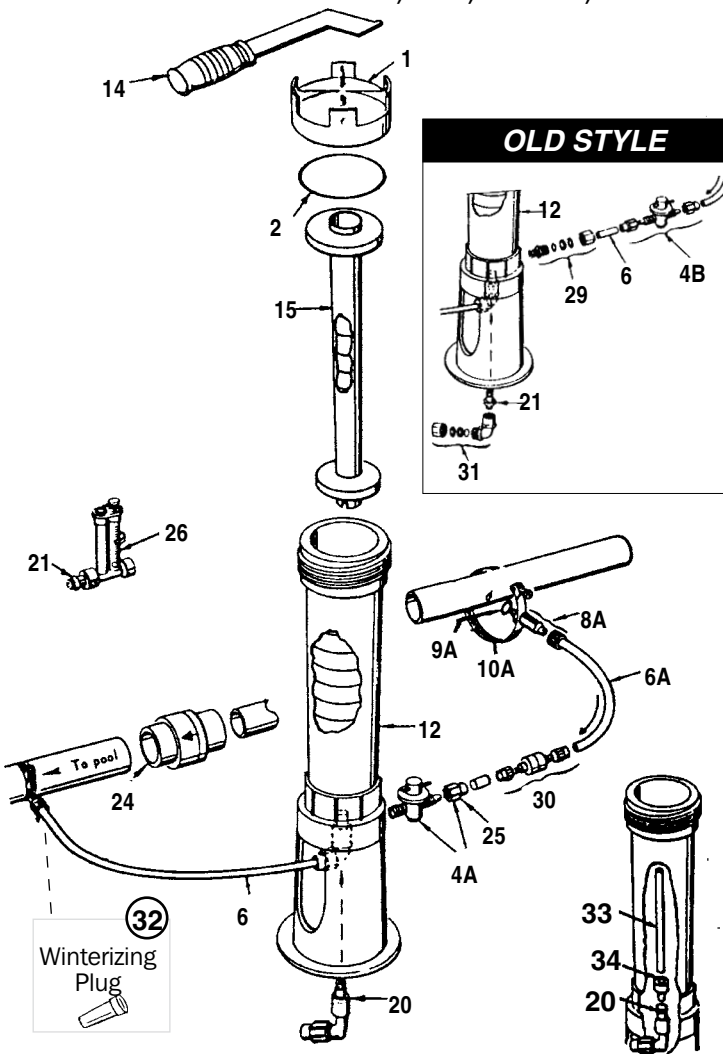
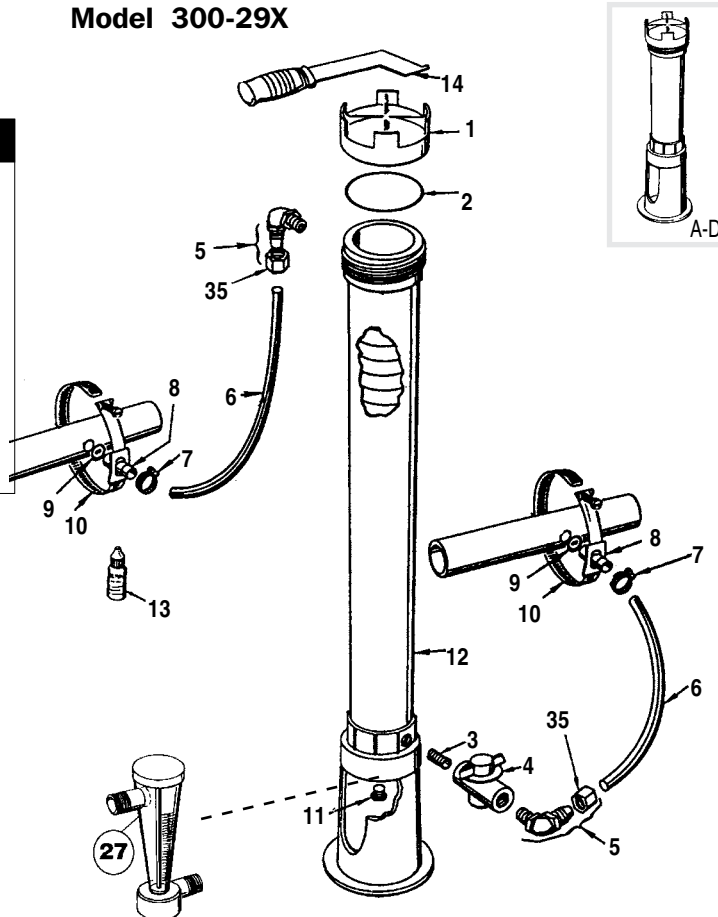


MODELS 300, 302, 300-19, 300-29, 300-29X

Models 300, 302, 300-19, 300-29



Model 300-29X



KEY	ITEM #	DESCRIPTION	MFG. #
A	2090-0	COMPLETE FEEDER, MODEL 300	R171016
B	2091-0	COMPLETE FEEDER, MODEL 300-19	R171056
C	2093-0	COMPLETE FEEDER, MODEL 300-29	R171066
D	2094-0	COMPLETE FEEDER, MODEL 300-29X	R171070
1	2114-01W	CAP, WHITE	R172008W
1	2114-01	CAP, BLUE	R172008
2	2114-02	O-RING, CAP	R172009
2	2114-02V	O-RING, CAP (VITON)	R172009V
3	2114-03	NIPPLE, 1/2" MPT	R172256
4	2114-04	VALVE, CONTROL 1/2" FPT	R172086
4A	2114-04A	VALVE, CONTROL 1/4" NPT x TUBE	R172060
4B	2114-04B	VALVE, CONTROL 1/4" TUBE x TUBE	R172022
5	2114-05	ELBOW, 1/2" MPT x 1/2" TUBE, W/ NUT	R172272
6	6705-0	TUBING, CHLORINATOR 1/2" PER FT	R172269
6A	6704-0	TUBING, CHLORINATOR 3/8" PER FT	R172023
7	6658-0	CLAMP, S.S. HOSE 3/8 TO 7/8 IN	R175013
8	2114-08	FITTING, SADDLE TUBE, 1/2" TUBING	R172262
8A	2114-08A	FITTING, TUBE W/ COMPRESSION NUT	R172032
9	2114-09	GASKET, SADDLE, 1/2" TUBING	R172263
9A	2114-09A	GASKET, SADDLE, 3/8" TUBING	R172033
10	2114-10	CLAMP, SADDLE, 1/2", TUBING	R172264
10	2114-10B	SADDLE CLAMP FOR 3", 4", & 6" PIPE	R172264XL
10A	2114-10A	CLAMP, SADDLE, 3/8", TUBING	R172034
11	2114-43	DRAIN PLUG, 1/4" MPT PVC (OLD STYLE)	R172392
12		ORDER COMPLETE UNIT AS PER MODEL:	

KEY	ITEM #	DESCRIPTION	MFG. #
13	2114-13	LUBRICANT, SILICONE	R172036
14	2114-14	WRENCH, CAP	R172052
15	2114-15A	CHAMBER, CHEMICAL SPA	R172037
20	2114-20	VALVE, CHECK WITH ELBOW	R172061
21	2114-21B	VALVE, CHECK FLOW INDICATOR	R172020
24	2114-24	VALVE, CHECK 1 1/2"-2"	R172288
25	2114-25	NUT, COMPRESSION 3/8" TUBING	R18706
26	2114-26	INDICATOR, FLOW W/CHECK VALVE	R172080
27	2114-27	INDICATOR, FLOW - COMMERCIAL	R172276
29	6733-0	FITTING, COMP. 1/4" MPT x 3/8" TUBE	R172029
30	2114-21D	VALVE, CHECK ASSEMBLY 3/8" (INLINE)	R172323
31	REPLACE	REPLACE KEY 31 & 21 W/ 2114-20 WHEN REPLACING KEY #31 (ELBOW), YOU MUST REMOVE KEY #21 (CHECK VALVE) AND REPLACE WITH KEY #20 (COMBINATION CHECK VALVE WITH ELBOW)	R172038
32	6696-0	CAP, WINTERIZING CHLORINATOR	R172367
33	2114-50	1/4" ID X 6" STANDPIPE	R18761
34	2114-51	1/4" BROMINE STANDPIPE ADAPTER	R172061B
35	2114-25A	NUT, COMPRESSION 1/2" TUBING	R172274
**	2114-82	PARTS BAG FOR 300-29X	R172275
***	2114-83	PARTS BAG FOR 300, 302, 300-19, & 300-29	R172064
*	2114-45	CHECK VALVE 1/2" TUBE X TUBE FOR 300-29X	R172324
*	6763V	DRAIN PLUG, 1/2" MPT PVC FOR 300-29X	R172134
*	2114-46	SADDLE CLAMP W/ INLET FITTING THREADED FOR 300-29X	R172628
*	2114-52	CORROSION RESISTANT FLOW INDICATOR KIT FOR 300-29X	R172627

* NOT SHOWN

** INCLUDES KEY #S 3, 4, 5, 7, 8, 9, 10, & 13

*** INCLUDES KEY #S 4A, 8A, 9A, 10A, 13, & 20