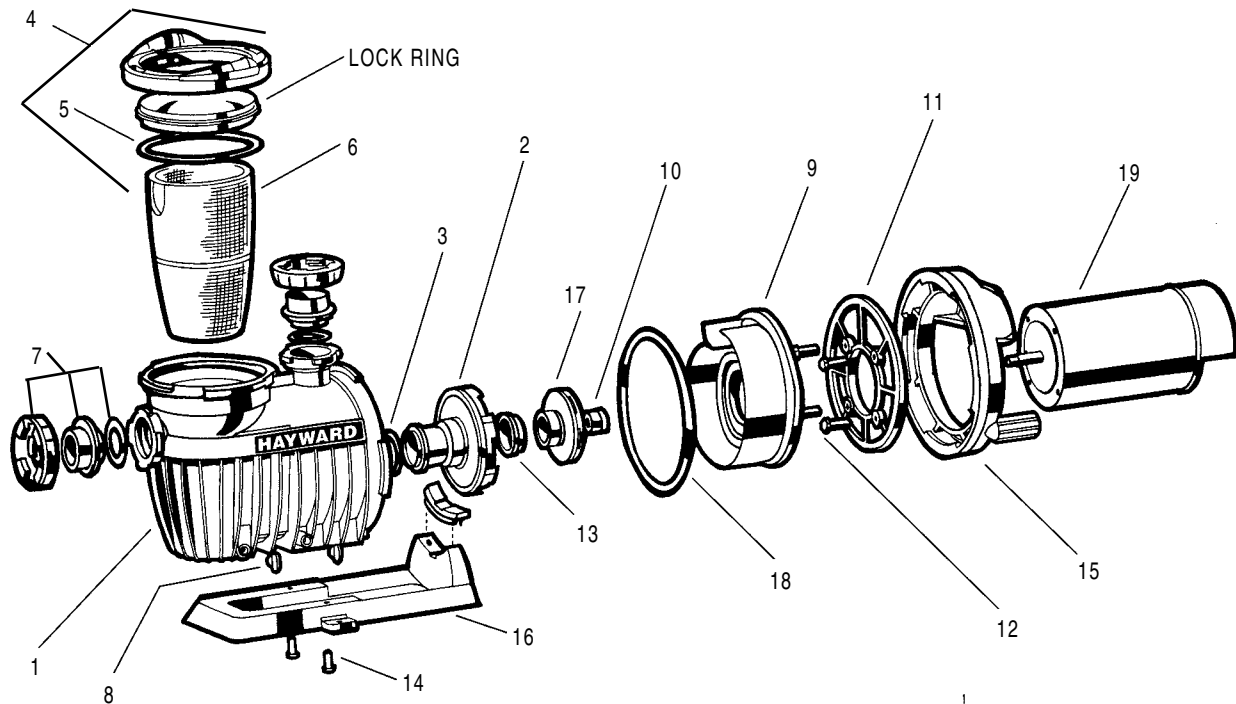


SP4000 (full rated) AND SP4000X (uprated)

SINCE 1998



KEY	ITEM #	DESCRIPTION	MFG. #
1	5112-001	PUMP HOUSING	SPX4020AA
2	5112-002	DIFFUSER	SPX4000B
3	5112-35	DIFFUSER O-RING, UNION O-RING	SPX4000Z1
4	REPLACE	STRAINER COVER KIT, PRIOR TO 2003 NLA KIT REP W/ 5112-032	SPX4000DA
4	5112-032	STRAINER COVER KIT (NEW STYLE SPX4000DLT CURRENT) INCLUDES: LID, LOCK RING, AND T-RING	SPX4000DLT
5	4664-14	STRAINER COVER O-RING, PRIOR TO 2003	CX400G
5	5112-033	T-RING, STRAINER COVER, CURRENT STYLE	SPX4000TS
6	5112-006	BASKET	SPX4000M
7	5112-007	UNION KIT, INCLUDES 1 UNION CONNECTOR, 1 O-RING, 1 NUT	SPX4000UNPAK1
8	5112-008	DRAIN PLUG WITH GASKET	SPX4000FG
9	5112-034	SEAL PLATE	SPX4000E
10*	5112-031	SEAL ASSY, CURRENT	SPX4000SA2
11	5112-012	MOTOR MOUNTING PLATE	SPX4000F
12	5112-013	MOTOR CAP SCREW	SPX0125Z44
13	5110-23A	IMPELLER RING - 3/4 THROUGH 3 HP	SPX3021R
14	5112-015	MOUNTING FOOT CAP SCREW	SPX1600Z52
15	5112-016	MOTOR LOCK RING	SPX4000K
16	5112-009	MOUNTING BASE W/ADAPTOR	SPX4000GA
17	5112-023	IMPELLER KIT, 1/2 HP FULL RATED	SPX4005CKIT
17	5112-024	IMPELLER KIT, 3/4 HP FULL RATED 1HP UP RATED	SPX4007CKIT
17	5112-025	IMPELLER KIT, 1 HP FULL RATED 1 1/2 HP UP RATED	SPX4010CKIT

KEY	ITEM #	DESCRIPTION	MFG. #
17	5112-026	IMPELLER KIT, 1 1/2 HP FULL RATED 2 HP UP RATED	SPX4015CKIT
17	5112-027	IMPELLER KIT, 2 HP FULL RATED 2 1/2 HP UP RATED	SPX4020CKIT
17	5112-028	IMPELLER KIT 3 HP UP RATED	SPX4025CKIT
17	5112-029	IMPELLER KIT, 3 HP FULL RATED	SPX4030CKIT
18	5112-030	SEAL PLATE O-RING	SPX4000T
19	5112-050	MOTOR 1/2 HP FULL RATED	SPX1605Z1BNS
19	5112-051	MOTOR 3/4 HP FULL RATED	SPX1607Z1BNS
19	5112-052	MOTOR 1 HP FULL RATED	SPX1610Z1BNS
19	5112-053	MOTOR 1 1/2 HP FULL RATED	SPX1615Z1BNS
19	5112-054	MOTOR 2 HP FULL RATED	SPX1620Z1BNS
19	5112-055	MOTOR 3 HP FULL RATED	SPX1630Z1BNS
19	5112-060	MOTOR 1 HP UP RATED	SPX1607Z1MNS
19	5112-061	MOTOR 1 1/2 HP UP RATED	SPX1610Z1MNS
19	5112-062	MOTOR 1 1/2 HP, 2 SPEED UP RATED	SPX1610Z2MNS
19	5112-063	MOTOR 2 HP UP RATED	SPX1615Z1MNS
19	5112-064	MOTOR 2 HP, 2 SPEED UP RATED	SPX1615Z2MNS
19	5112-065	MOTOR 2 1/2 HP UP RATED	SPX1620Z1MNS
19	5112-066	MOTOR 2 1/2 HP, 2 SPEED UP RATED	SPX1620Z2MNS
19	5112-067	MOTOR 3 HP UP RATED	SPX1625Z1MNS

\* FOR MODELS PRIOR TO 2003, WHEN REPLACING EITHER THE IMPELLER OR SEAL ASSY, YOU MUST PURCHASE THE IMPELLER KIT TO REPLACE BOTH TO ENSURE COMPATIBILITY

NOTE: SP4000 SERIES IS A FULL RATED PUMP  
SP4000X IS AN UP RATED PUMP