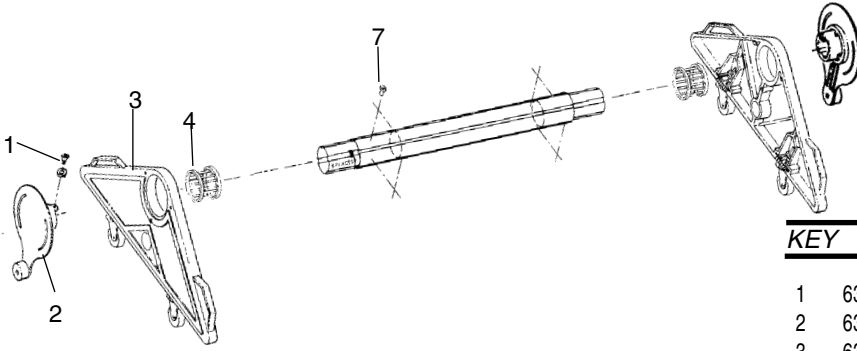


# ODYSSEY M400 SOLAR REEL

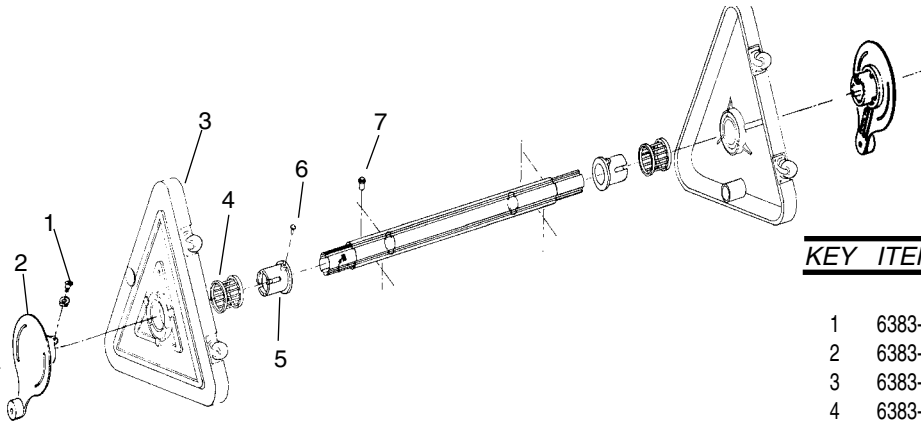
UP TO 20' X 45' SOLAR BLANKET (IN GROUND)



KEY	ITEM #	DESCRIPTION	MFG. #
1	6383-30	1¼" FLATHEAD SCREW	415
2	6383-31	HANDWHEEL WITH HANDLE	523
3	6383-45	MAIN FRAME WITH 2" CASTERS	504
4	6383-33	BEARING RACE ASSEMBLY	615
7	6383-36	NEOPRENE TUBE INSERT	475

# ODYSSEY M600S2 SOLAR REEL

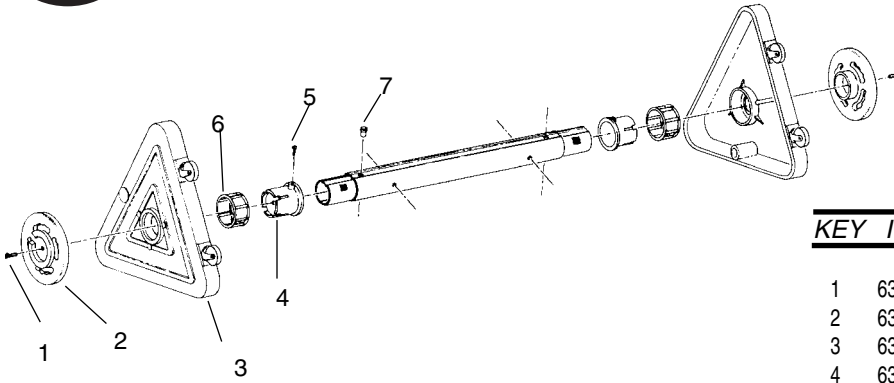
INGROUND MODEL - UP TO 20' X 45' SOLAR BLANKET (IN GROUND)



KEY	ITEM #	DESCRIPTION	MFG. #
1	6383-30A	1¼" FLATHEAD SCREW	430
2	6383-31	HANDWHEEL WITH HANDLE	523
3	6383-32	MAIN FRAME WITH 2" CASTERS	506
4	6383-33	BEARING RACE ASSEMBLY	615
5	6383-34	END CAP	526
6	6383-30	¾" PHILLIPS SCREW FOR END CAP	415
7	6383-36	NEOPRENE TUBE INSERT	475

**ODYSSEY M700S2 SOLAR REEL**

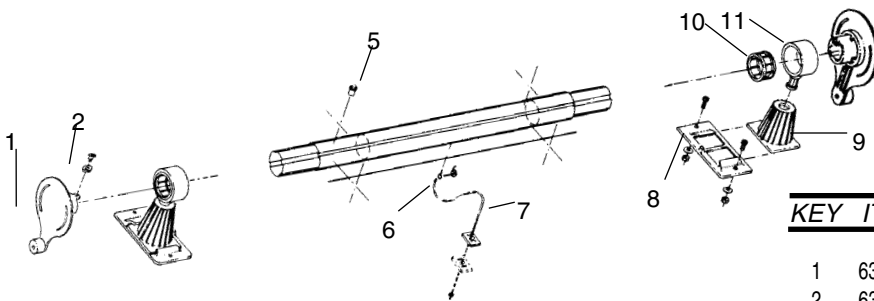
UP TO 26' X 75' SOLAR BLANKET (COMMERCIAL IN GROUND)



KEY	ITEM #	DESCRIPTION	MFG. #
	1	1 1/4" FLATHEAD SCREW	430
	2	HANDWHEEL	517
	3	MAIN FRAME WITH 4" CASTERS	507
	4	END CAP	527
	5	3/4" PHILLIPS HEAD SCREW	440
	6	BEARING RACE ASSEMBLY	620
	7	NEOPRENE TUBE INSERT	476

**ODYSSEY 818 / 824 / 828 SOLAR REELS**

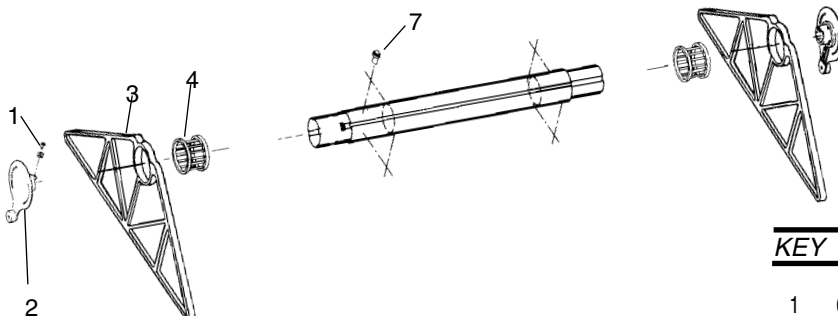
M818 (UP TO 18' WIDE) M824 (UP TO 24' WIDE) M828 (UP TO 28' WIDE) - ABOVE GROUND



KEY	ITEM #	DESCRIPTION	MFG. #
	1	1/4" FLATHEAD SCREW	415
	2	HANDWHEEL WITH HANDLE	524
	5	NEOPRENE TUBE INSERT	475
	6	TUBE EYE SCREWS	408
	7	2' WHITE CORD	861
	8	BASE PLATE	540
	9	BASE	530
	10	NEEDLE BEARING RACE	615
	11	YOKE	532

**ODYSSEY EMX SOLAR REEL**

UP TO 20' X 45' (IN GROUND)



KEY	ITEM #	DESCRIPTION	MFG. #
	1	1 1/4" FLATHEAD SCREW	415
	2	HANDWHEEL WITH HANDLE	524
	3	MAIN FRAME	536
	4	BEARING RACE ASSEMBLY	615
	7	NEOPRENE TUB INSERT	475